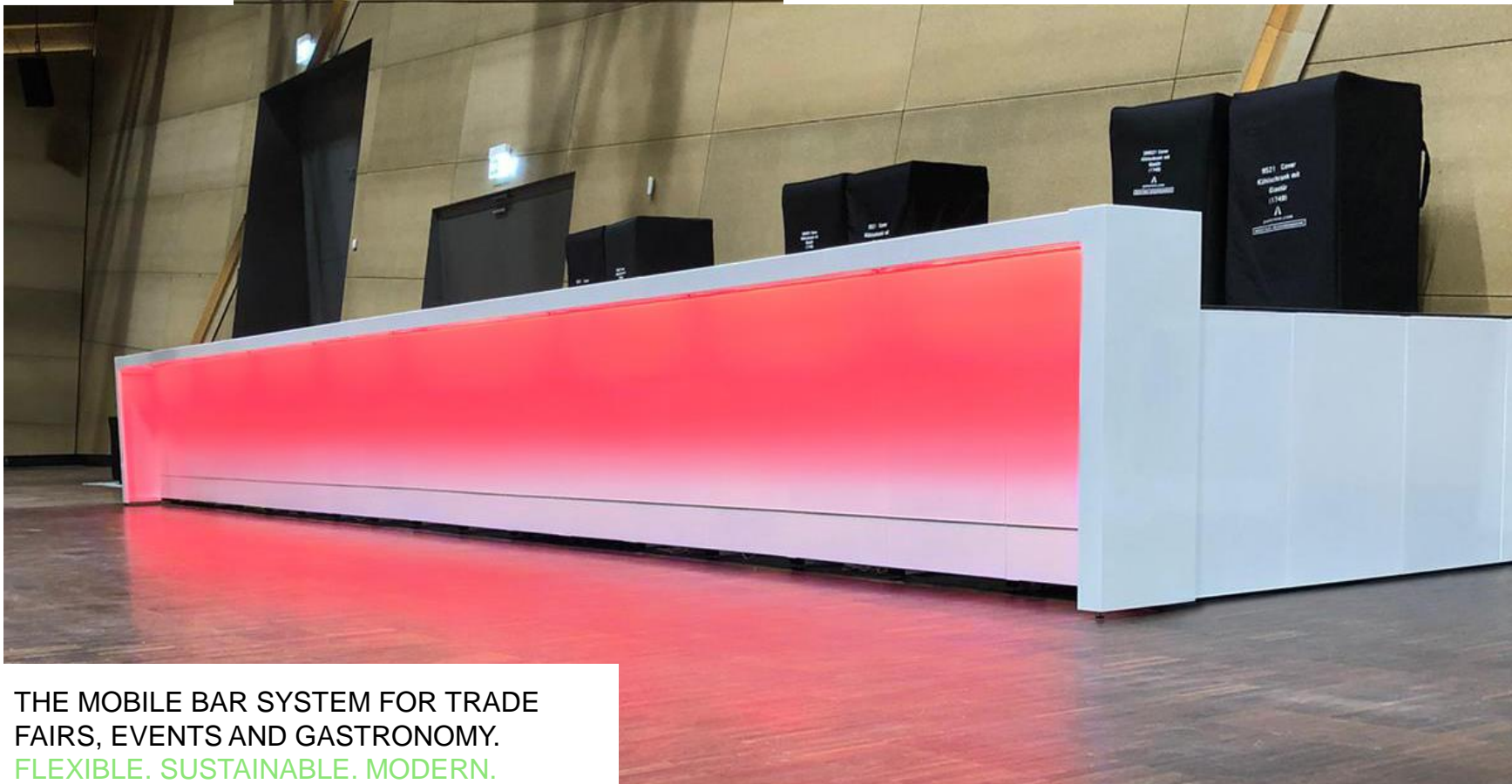




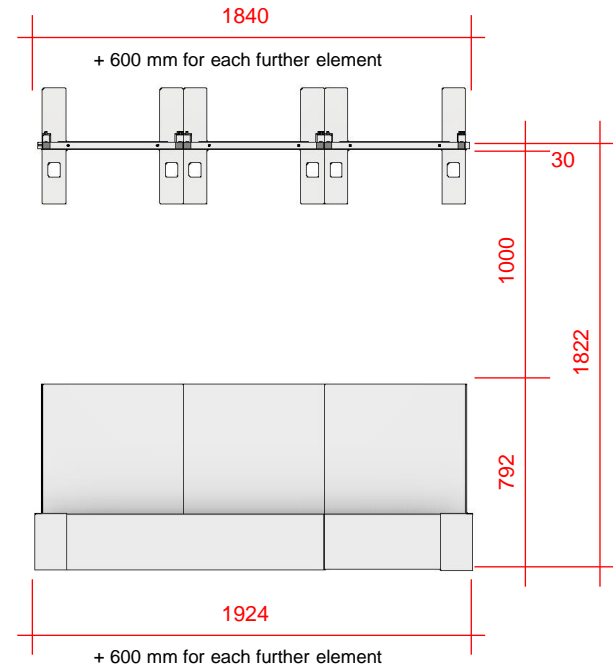
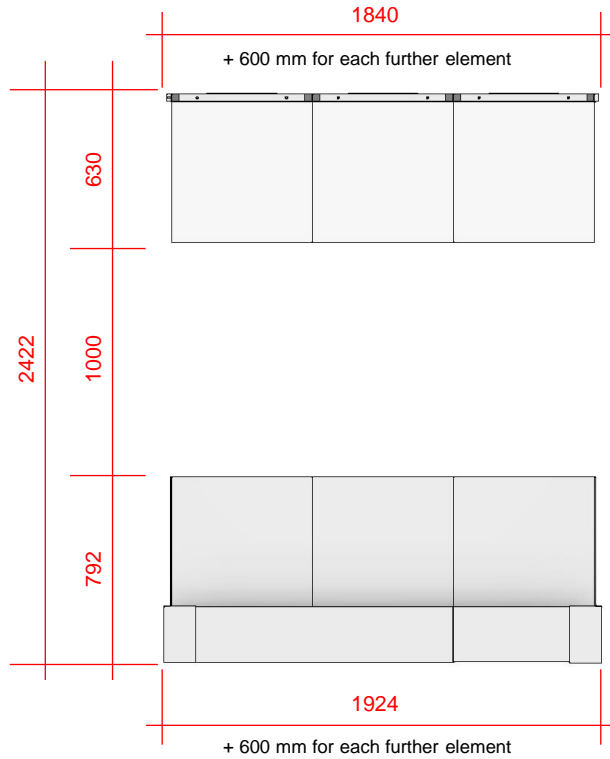
GENERAL INFORMATION
DIMENSIONS / SPACE REQUIREMENT



THE MOBILE BAR SYSTEM FOR TRADE FAIRS, EVENTS AND GASTRONOMY.
FLEXIBLE. SUSTAINABLE. MODERN.

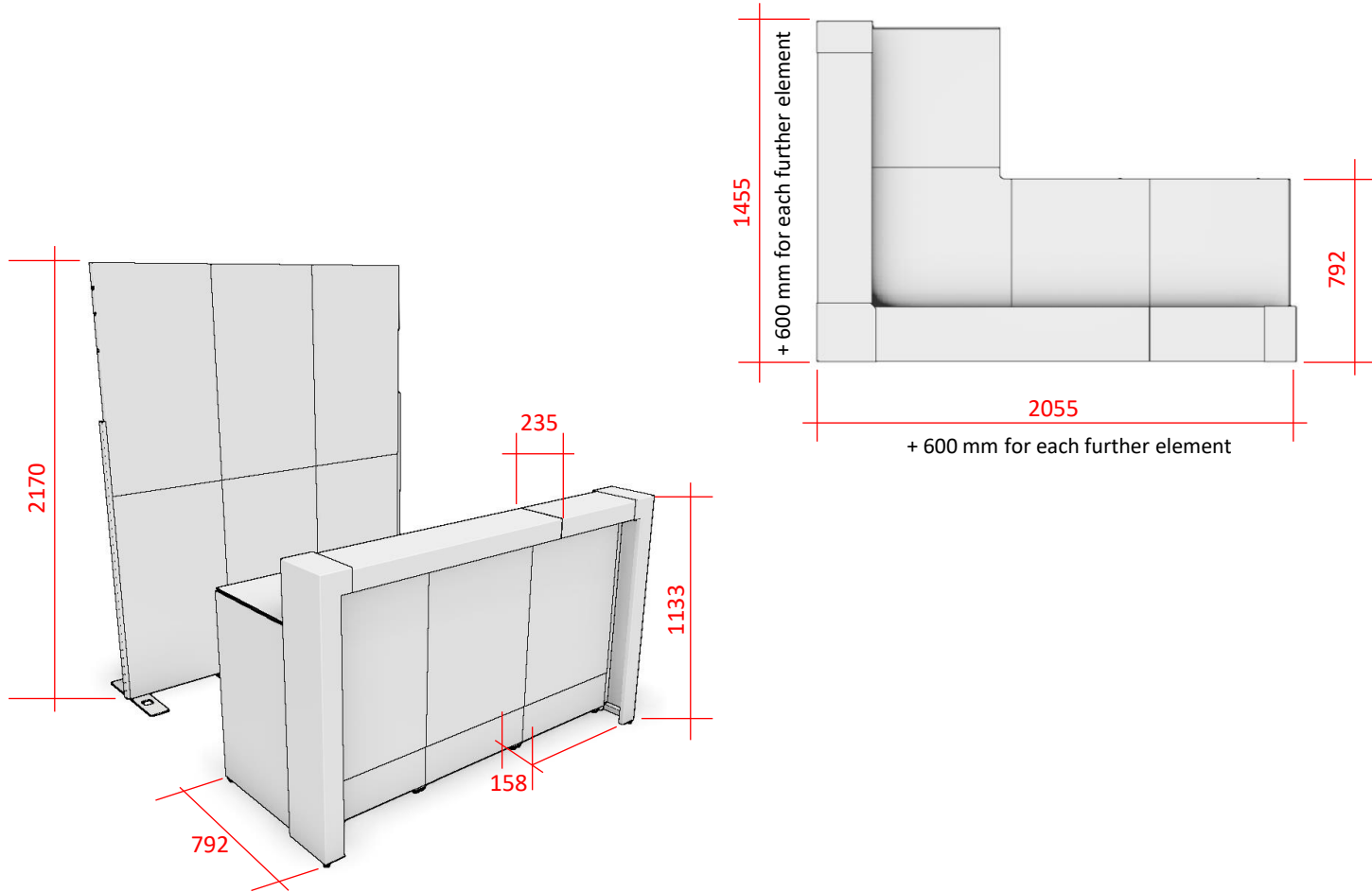
DIMENSIONS / SPACE REQUIREMENT

► SPACE REQUIREMENTS FOR G-RACK BARS



DIMENSIONS / SPACE REQUIREMENT

► SPACE REQUIREMENTS FOR G-RACK BARS



DO YOU HAVE ANY QUESTIONS ?

Your contact person : Kay Muhlack

Phone: (+49) 431 – 648 06 0

E-mail: k.muhlack@g-rack.de

Status: 01.10.2022

