



Example Bar 2,4 m

Contents

G-Raxx Basic Element	2
G-Raxx Dolly Platform Base	2
G-Raxx Base Element.....	3
Connection of G-Raxx base frames.....	3
Front Frame	4
Connection of front frames.....	5
G-Raxx Frame Adapter	6
Front Panels	6
Bartop.....	7
Front Banner/Brand Sign Front.....	8
Side Applications.....	8
Side Panels	9
Worktops	9
Worktop Adapter	10
Accessories	11
Quiver Board	11
Bartop Tray	11
Hook in tray, large	11
Speedrack	12
Shelves Set	12
Bottle Display	12
Ice Box with Sliding Top Set	13
Slide Drawer.....	13
LED RGB Light Bar	15
LED Light Bar.....	16
Worktop Lamp.....	16
Sliding door set	17
Lock for sliding door set	18
Extender Tray.....	19
Bartop Extension.....	19
Water Station	21
Instruction RGBW Remote Controller Mi-Light FUT096.....	22
Exploded view.....	24
Cleaning Instructions	25
Electric components	25

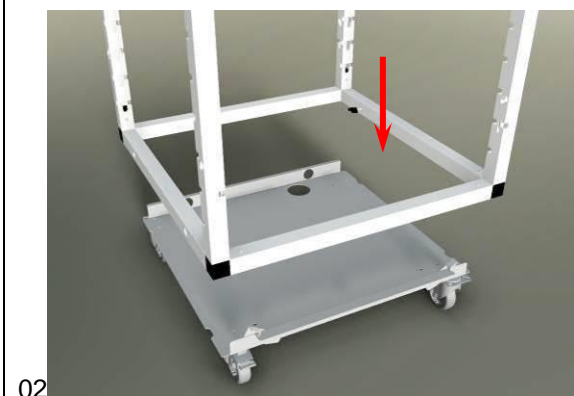


01

G-Raxx Basic Element

(Item-no. rx-bm-...)

A patented connection system with a captive wing bolt, in frame positioning, allows a tool-free -fast replacement of all components, accessories and applications. For a maximum of mobility we advice the use of the Dolly Platform Base.

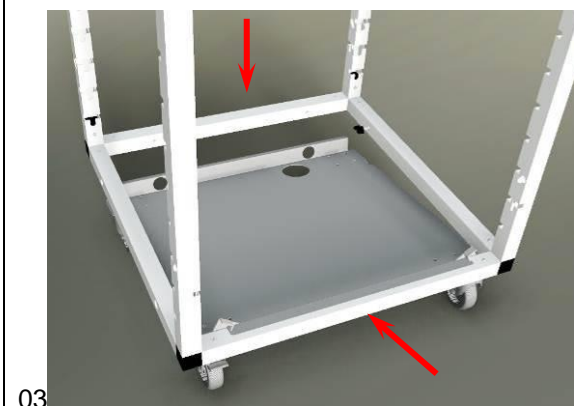


02

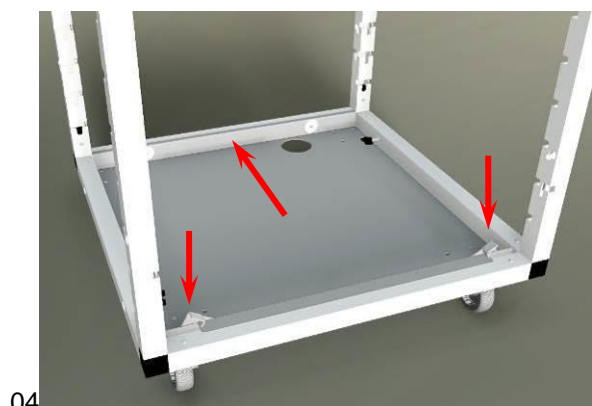
G-Raxx Dolly Platform Base

(Item-no. rx-wb)

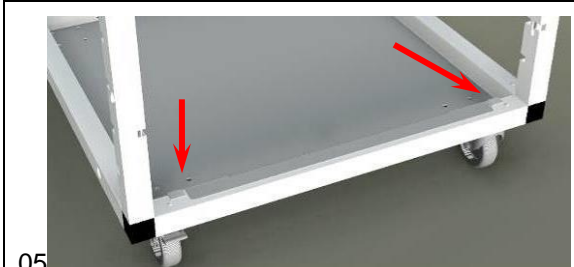
Mount the platform base as shown. Put the lower tube of the basic element under the wide border and put the frame onto the platform. Push the basic frame under the slim border of the platform base. Be sure to place the lower Aluminium tubes in the right position in the platform.



03



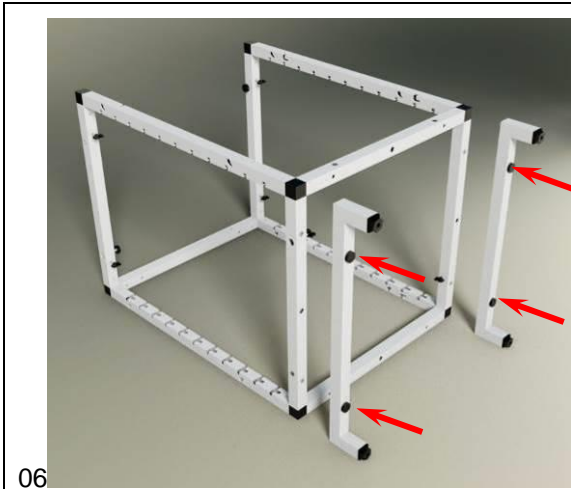
04



05

When the G-Raxx is in place pull down the clasp.





06

G-Raxx Base Element

(Item-no. rx-be-...)

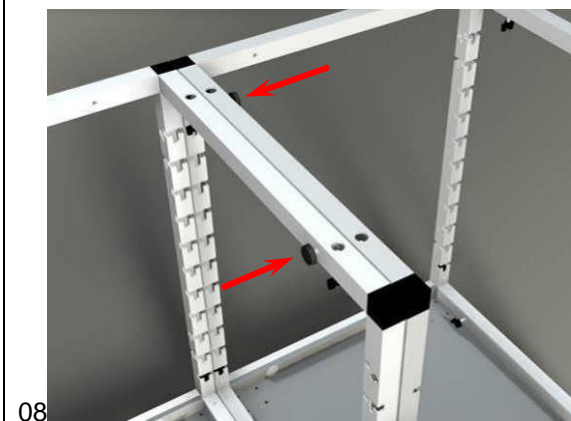
For mounting the Base Elements under the G-Raxx basic module lay the G-Raxx on the floor.
Fix the tubes with the bolts at the base frame.
If the floor is uneven, use the adjustable feet to align the frame.



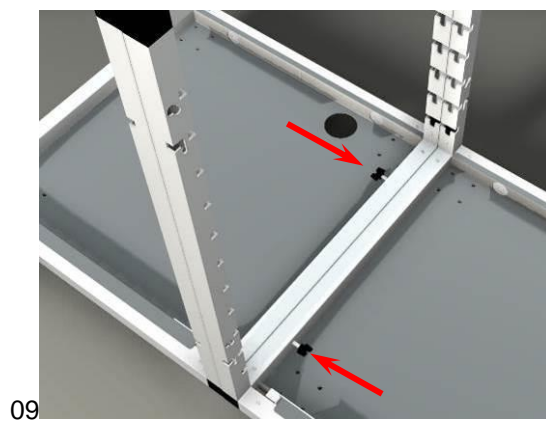
07

Connection of G-Raxx base frames



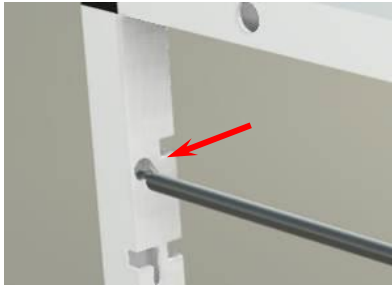
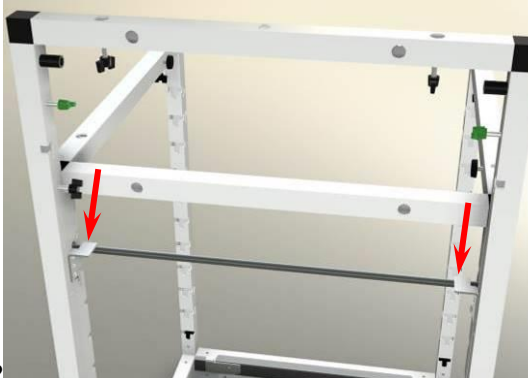
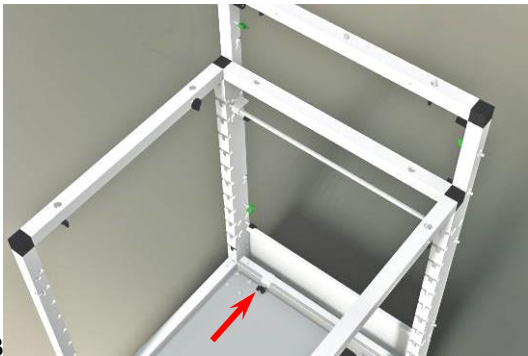
Connect the frames by screwing the bolts at the horizontal tubes.



08



09

 <p>10</p>	<p>Front Frame (Item-no. rx-ff11-...)</p>
 <p>11</p> <p>Connection pole/rod</p>	<p>First plug in the connection pole/rod into the gap of the vertical tubes.</p> 
 <p>12</p>	<p>Mount the front frame at the G-Raxx. The stainless steel hook grips around the connection pole/rod.</p>
 <p>13</p>	<p>Fix the front frame at the G-Raxx base frame by screwing the wing bolt at the bottom.</p> <p><i>Make sure that the rod is properly engaged.</i></p>



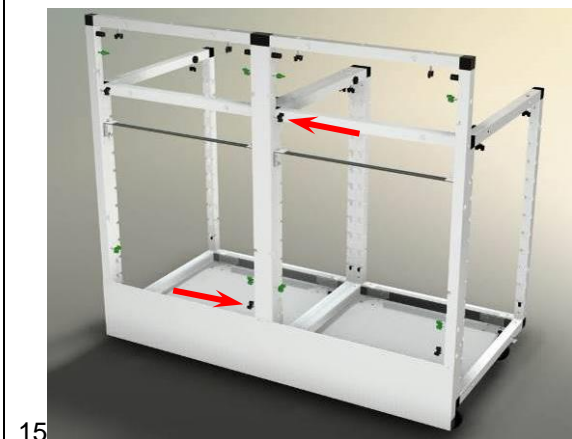
14

The front frame safety at the bottom of the front frame may possibly make hanging difficult. Pull the front frame slightly outward at the bottom so that the suspension brackets rest on top of the connection rod. The front frame safety now reaches under the G-Raxx base frame so that the front frame rests against the base frame.

Notice:

Connect the base frames and front frames after fixing the front frame safety with the screw.

To unhook the front frame, the screw on the G-Raxx base frame must first be loosened and the front frame must be pulled outwards slightly at the bottom, otherwise the front frame safety will block unhooking.



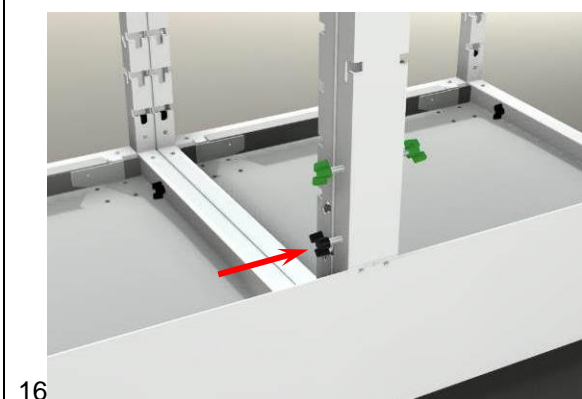
15

Connection of front frames

The front frames are screwed with in frame wing bolts into the front frame inserted nuts. It's possible to connect more than two front frames.

The **lowest** wing bolt of the **left** front frame fits into the insert nut of the right front frame. The **second** wing bolt from the top of the **right** front frame is fitting into the insert nut of the left front frame.

Use the black wing bolts for connecting front frames!



16



17



18

G-Raxx Frame Adapter

(Item-no. xx-as-...)

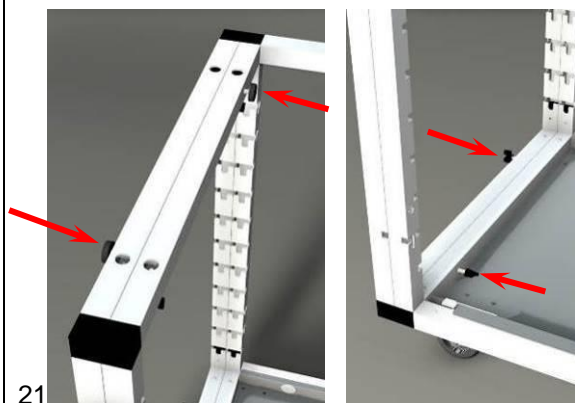
This is a space saving option as between every 2 G-Raxx you can place the G-Raxx frame adapter to stretch the bar, without using a complete G-Raxx modul.



19

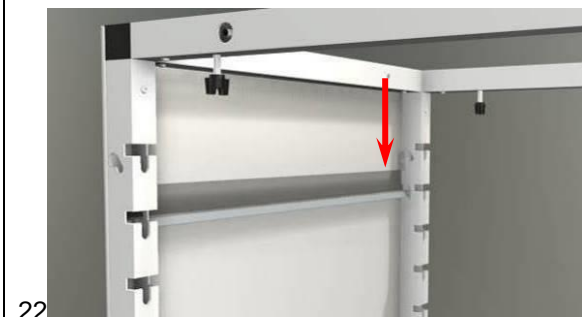


20



21

The frame is easily screwed with in frame wing bolts into the G-Raxx frame inserted nuts.



22

Front Panels

(Item-no. xx-sc-...)

Put the front panels/side panels in front of the G-Raxx frame as shown.



23

The front panel can be use at the front frame too.
Hook in the Side Panels/Front Panels in the frame as shown.

The front panels must be into position before the bar top is mounted.



24

Bartop

(Item-no. xx-ct...)

Place the bartop on top of the front frame.
A position bolt on the upper tube of the front frame must fit into a hole on the underside of the bartop.

For the use of bartop and side applications there have to be a front frame.



25

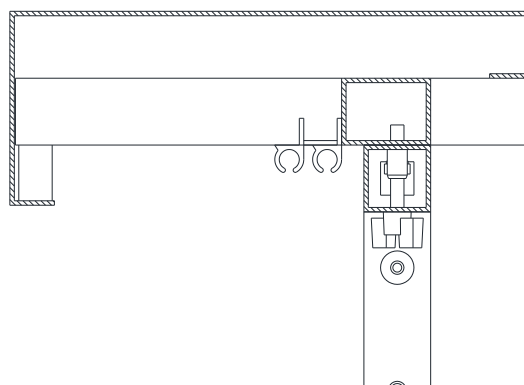
ATTENTION:

Please hold on the bartop with one hand.

If the bartop is in position fix it to the frame by tightening the screws.

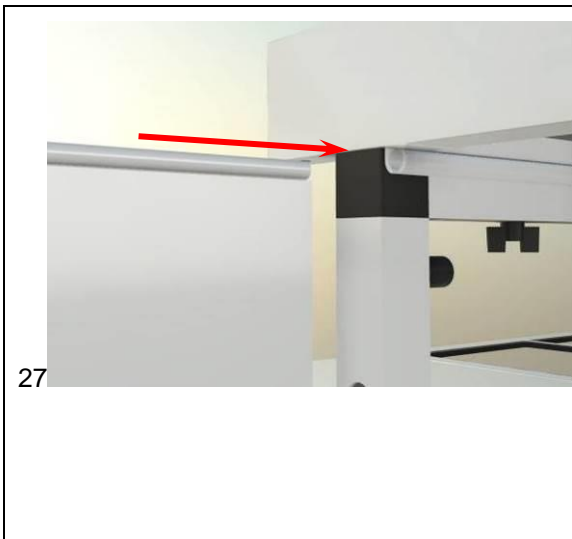
If several bartops are used, they can be linked together.
There are wing screws underneath the bartop on the customer side.

26



outside

inside



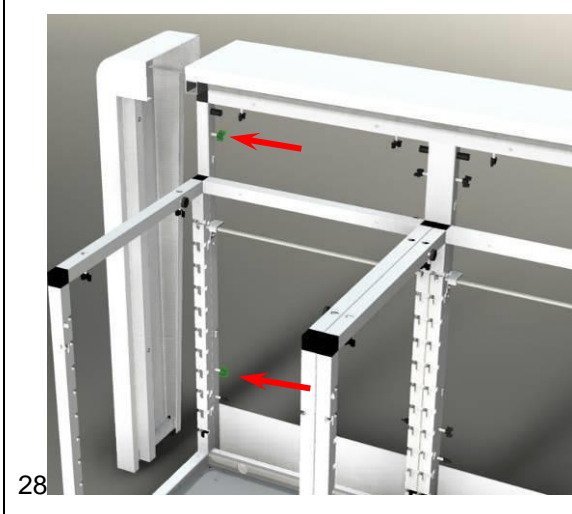
Front Banner/Brand Sign Front

(Item-no. xx-fb-... & xx-s1-...)

Slide the front banner/brand sign with the piping in the slot underneath the bartop.

Banner: Transport and storage

- Remove weighting rod from hemstitch and store separately in felt bag
- Roll up banner without folds
- Print area to the outside
- Hemstitch inside, piping outside
- Protect print area outside
- Fix the banner
- Use felt bag



Side Applications

(Item-no. xx-sfa...)

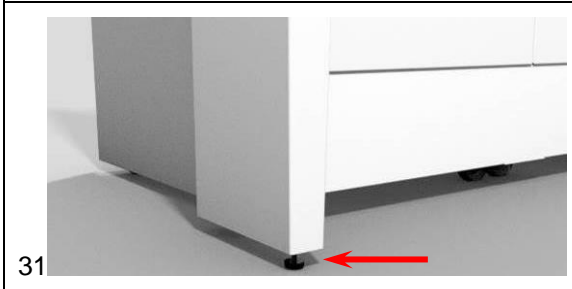
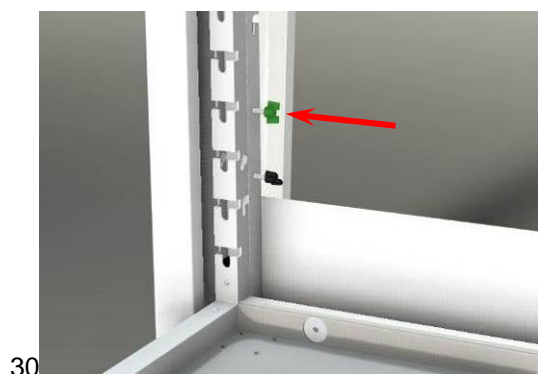
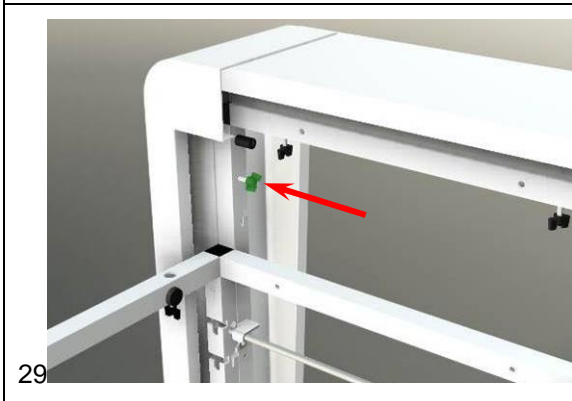
The side application forms the lateral ending of the bar front.

There is one side application to use on the left side and one to use at the right side of the bar.

The upper side fits over the end of the bartop, the vertical part is connected to the front frame with wing bolts.

Notice:

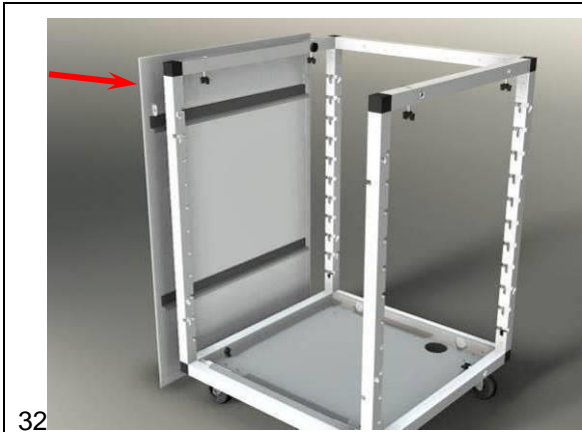
Use the green wing bolts to connect the side application to the front frame.



Check the leveling feet of the side applications when the complete bar is assembled.

It is necessary that they touch the floor.

If not, screw the feet to adjust the height.



32

Side Panels

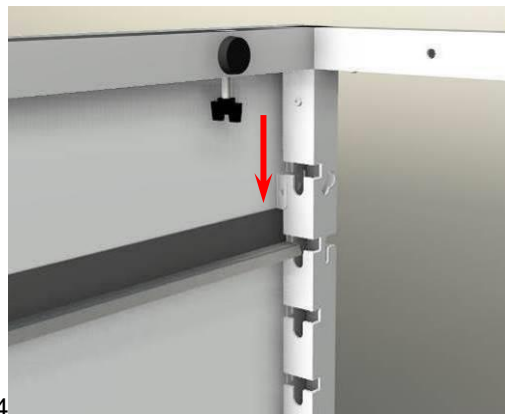
(Item-no. xx-sc-...)

The Side Panels/Front Panels can be used for covering the front, for covering the backside of the base frames and for covering the sides of G-Flexx and G-Raxx modules.

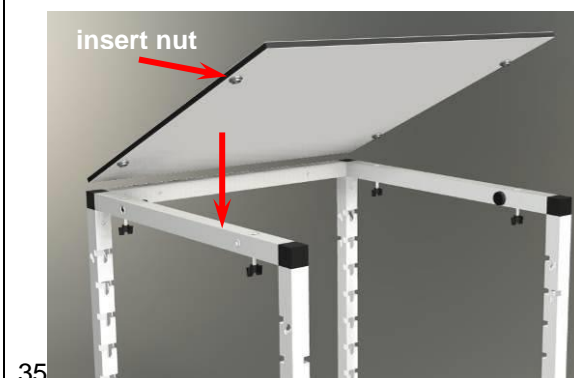
The stainless steel rails are hooked into the gaps/milling grooves in the tube as shown.



33



34



35

Worktops

(Item-no. xx-wt...)

First loosely screw the outer wing bolts to the worktop until the insert nuts are positioned over the wing bolts of the frame.

You don't need to connect every wing bolt of the frames to the worktop.

The insert nuts at the underside of the worktop must fit into the holes of the horizontal upper tube of the base frame.



36

Make sure every nut fits into the holes before fully tightening all screws.

If using a sliding door set, you have to attach the upper rail before fixing the worktop.

Also the mounting of the extender tray must be done before fixing the worktop.



37 **wrong!**

ATTENTION!

Don't lift the G-Raxx at the worktop, but at the tubes of the G-Raxx!



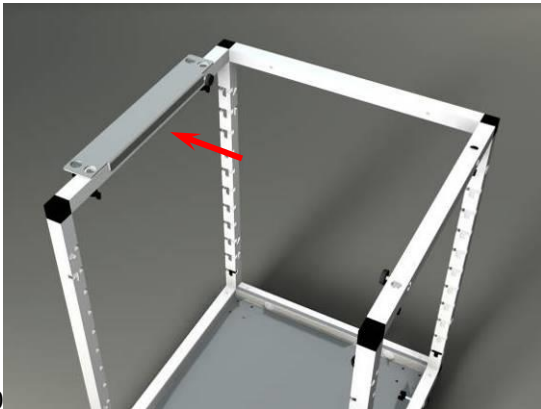
38 **right!**



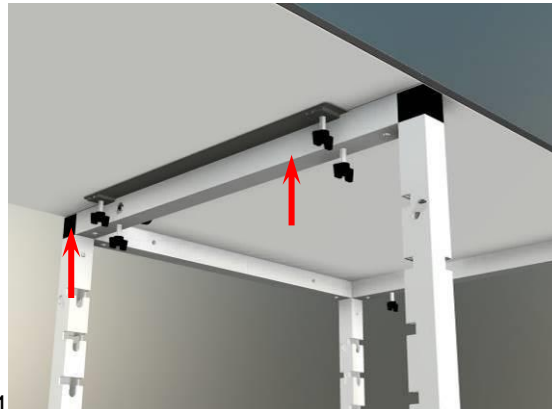
39

Worktop Adapter


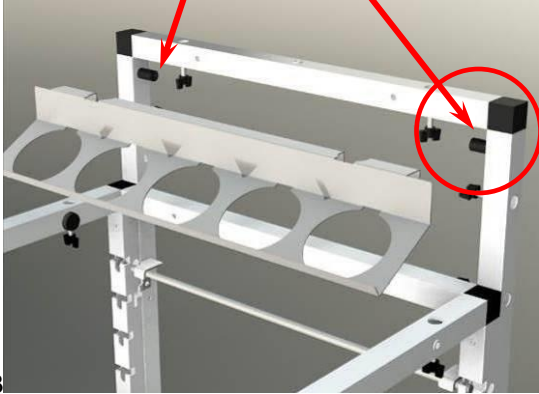
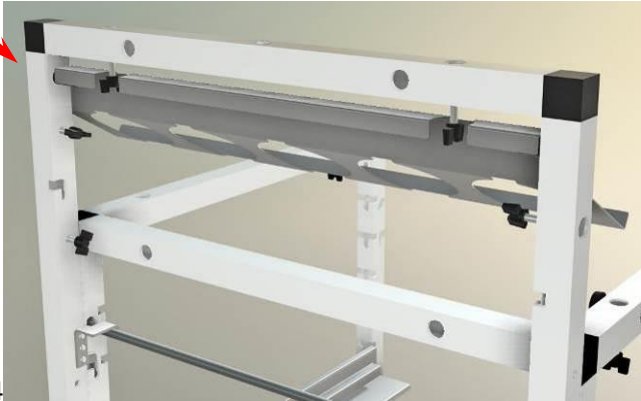
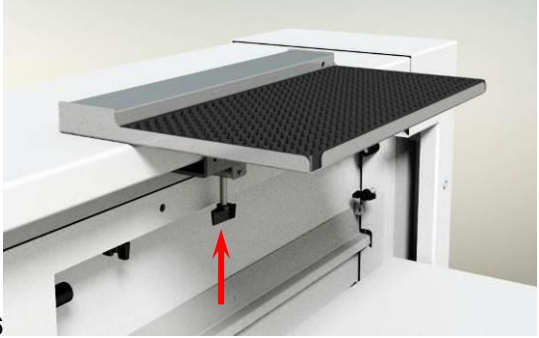
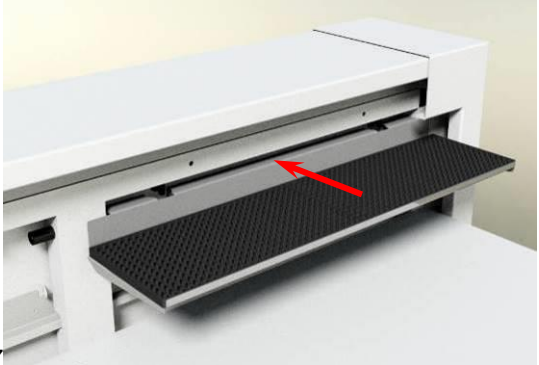
The Adapter is fitted underneath both facing worktops. The 600mm worktop is fitted on top of the adapters, and is secured with the wings bolts, without the use of a G-Raxx underneath.

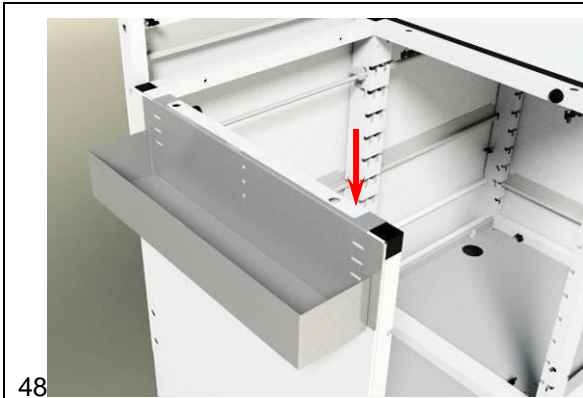


40



41

 <p>42</p> <p>The rear edge of the quiver board fits over the black bolts of the frontframe.</p>  <p>43</p>	<h2>Accessories</h2> <h3>Quiver Board</h3> <p>(Item-no. xx-zb4 & xx-zb4.1)</p> <p>Fix the quiver board as shown.</p>  <p>44</p>
 <p>46</p>	<h3>Bartop Tray</h3> <p>(Item-no. xx-zb26)</p> <p>The tray is attached to the worktop providing a higher level for the preparation of the drink in front of the customer. The tray holds a barmat 310 x 150 mm and can be branded individually. Fix the tablet by screwing the wing bolt from below.</p>
 <p>47</p>	<h3>Hook in tray, large</h3> <p>(Item-no. xx-zb25)</p> <p>The tray is hooked to the frontframe of the G-Raxx/G-Flexx instead of the quiverboard. The tray is providing a higher level for the preparation of the drink, still giving easy access to the GN containers in the worktop. The tray holds two barmats 310 x 150 mm or one barmat 500-600 mm.</p>

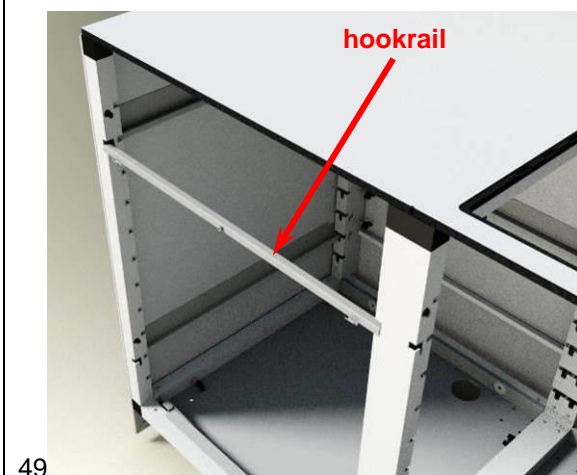


48

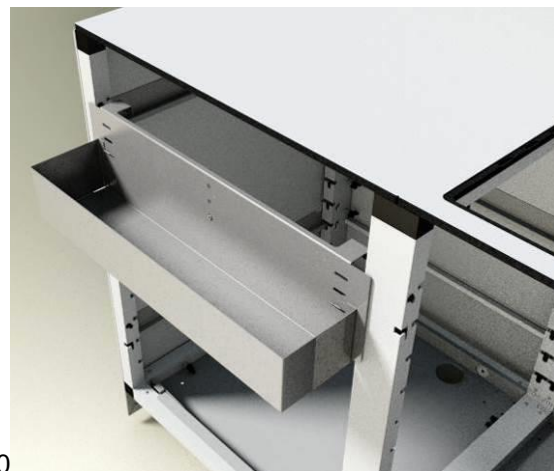
Speedrack

(Item-no. xx-zb10)

There are two positions the speedrack can be used. If it is used on the side the hookrail must be removed and the speedrack must be mounted after the side/front panel is mounted and before the worktop is mounted. If the speedrack is used on the front, the hookrail is set into gaps/milling grooves in the vertical tube of the base frame.



49



50



51

Shelves Set

(Item-no. xx-zb7.8)

Corner Rail

The corner rails are placed in the patented milling groove. It can be used in combination with a shelf, bottle shelf, and glassware basket.

Shelf

Place the shelf on the corner rails. Insert shelf with cornered edge facing you.



52

Bottle Display

(Item-no. xx-zb1)

For using the bottle display the corner rails are needed. Put the display onto the rails. You can use the bottle display without and with shelf.

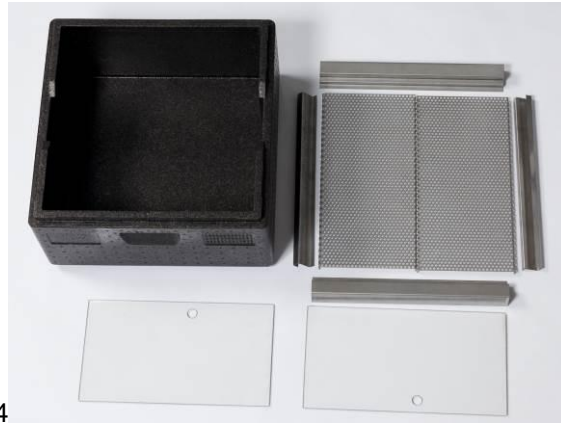


53

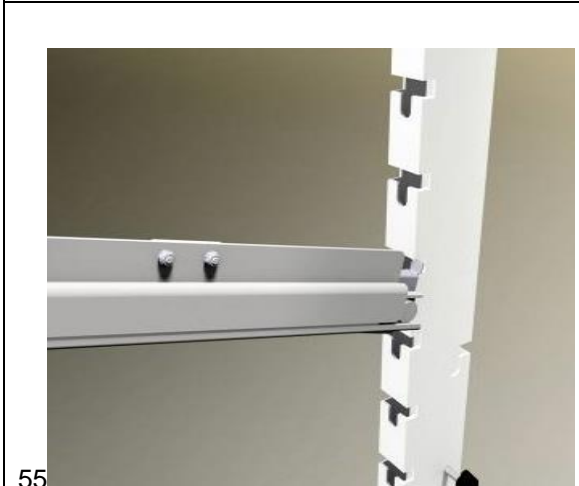
Ice Box with Sliding Top Set

(Item-no. xx-zb14.2)

If the Sliding Top Set isn't assembled, combine the parts like shown in the photo.



54



55

Slide Drawer

(Item-no. xx-zb5)

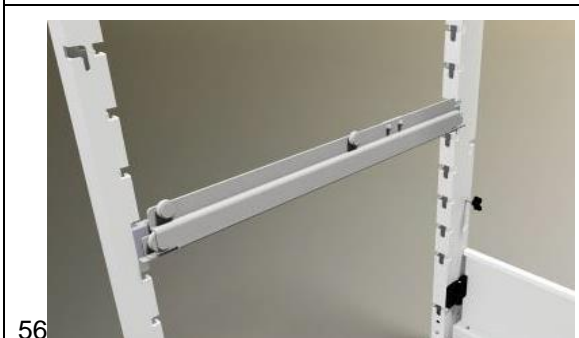
There are left and right drawer rails.

The rail has a little "nose" on the rear end of the rail.

The rear end must be insert first by holding the rail a little lower at the end and shove just the rear end into the milling groove of the vertical tube at the back of the base frame. The front end must be still free.

Then hold the rail horizontal and turn it sideways towards the vertical tube of the base frame until you can set the free end into the milling groove.

Notice: It is supposed to go very easy, don't use force, it is just a matter of the right handling.

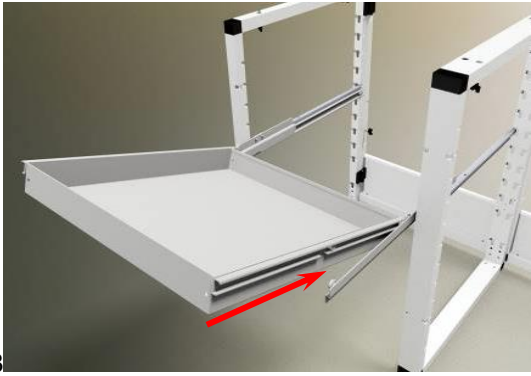
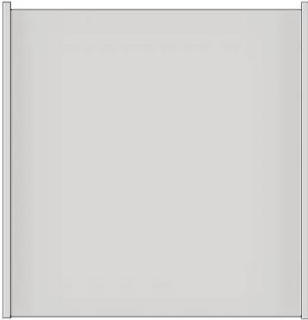
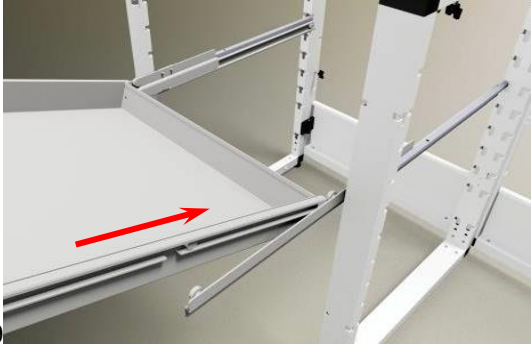
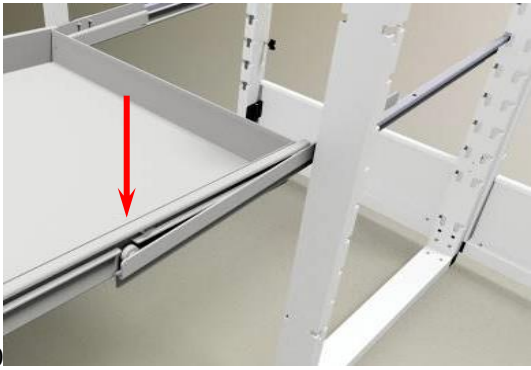
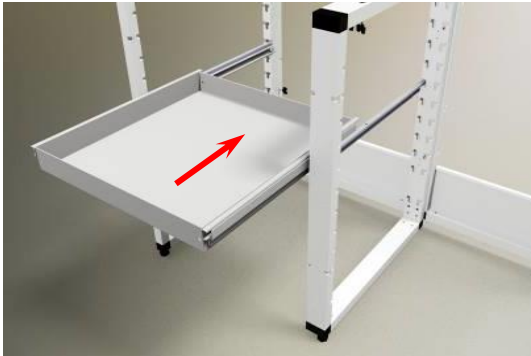


56



57

Pull out the drawer rails.

 <p>58</p>	<p>Put in the drawer frame as shown.</p>  <p>drawer frame</p>
 <p>59</p>	<p>Slide the drawer frame with the guide profiles in the direction of the rear rollers of the drawer rails.</p>
 <p>60</p>	<p>If the rear rollers are in the guide profiles, the drawer frame can be lowered.</p> <p>Make sure that the drawer frame is positioned so that the recess in the guide profile is at the front roller. (see also pictures on the left)</p>
 <p>61</p>	<p>If the drawer frame is correctly positioned and runs parallel to the drawer rails, it can be moved steplessly in the rails.</p>



62

Check the function of the pull-outs before they are loaded by pulling them in and out several times.



63

uniform spacing

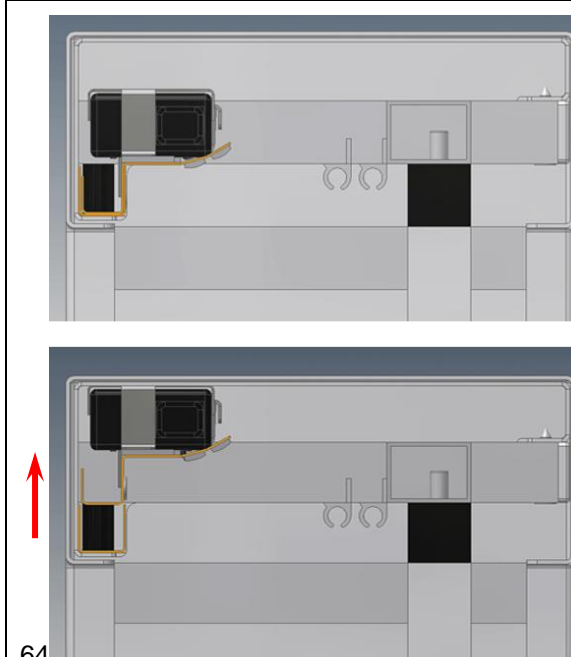
If the drawer does not slide correctly, check the position of the base frame, the drawer rails and the drawer frame. Check that the G-Flexx frame is correctly aligned. Fit the worktops so that the frames are fixed in the correct position.

Attention!!!

If there more than one drawer, please use only one drawer at time.

Warning!

The drawers are designed for max. 25 kg.



64

LED RGB Light Bar

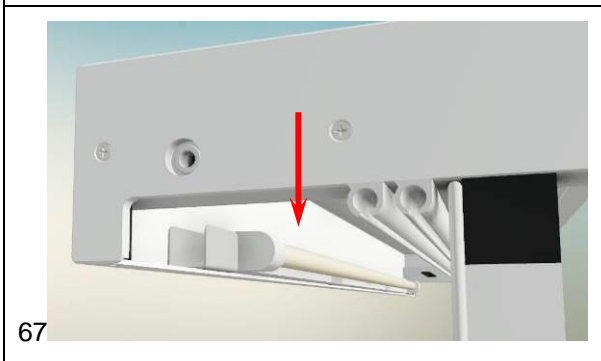
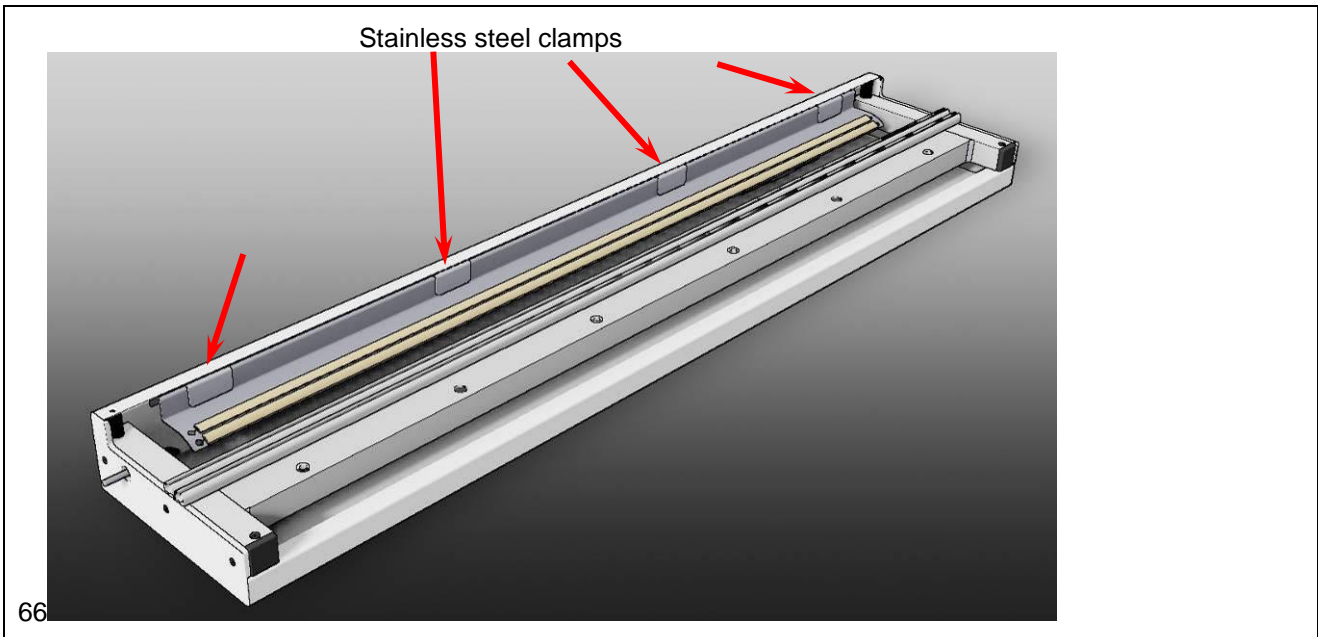
(Item-no. xx-zb30-600 & xx-zb30-1200)

The bartop is available with a LED light bar. This lamp is mounted under the bartop and lit on the front. For remove you have to push the LED holder to the top.

Underneath the bartop a number of stainless steel clamps are mounted to the lower front edge of the bartop (on the inside).

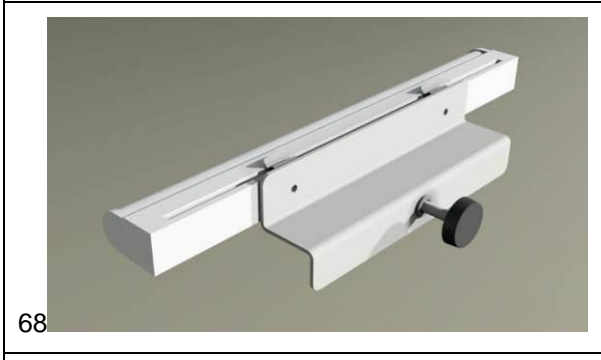
For assembly the LED holder just slides into the space of these clamps, an additional clamp applies pressure to the LED holder and keeps it in place during handling.

Instructions how to use the LED-RGB Remote Controller you find at the end of this instructions.



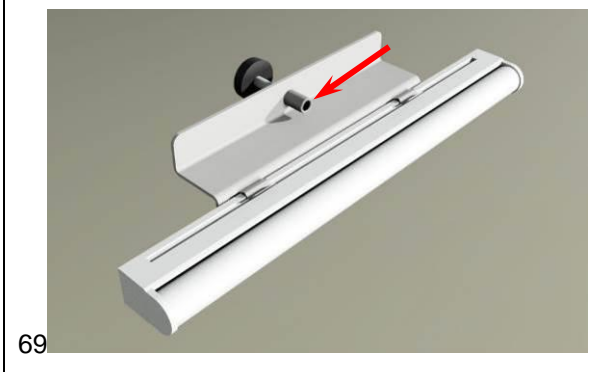
LED Light Bar
 (Item-no. xx-zb23-600 & xx-zb23-900)

The bartop is available with a LED light bar, warm white. This lamp is mounted under the bartop and lit on the front. There are profiles underneath the bartop. Plug the light bar over these profiles. By turning the lamp, the lighting can be dimmed.

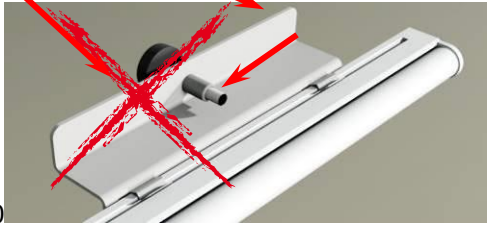


Worktop Lamp
 (Item-no. xx-zb33)

The lamp is plugged in and secured underneath the bartop and illuminates a part of the worktop.



Check the position of the screw before mounting the lamp.
 The screw has to be inside the bushing.



70

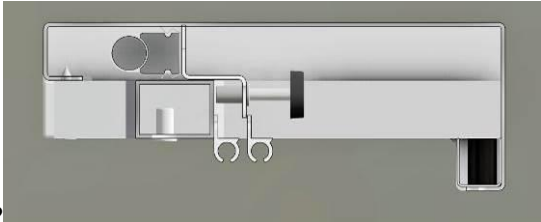


71

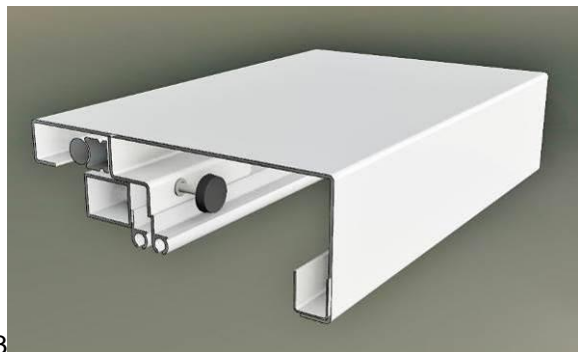
Plug the lamp underneath the bartop (customers side). Push the lamp above the two slots and screw the bolt to secure the lamp.

Note:

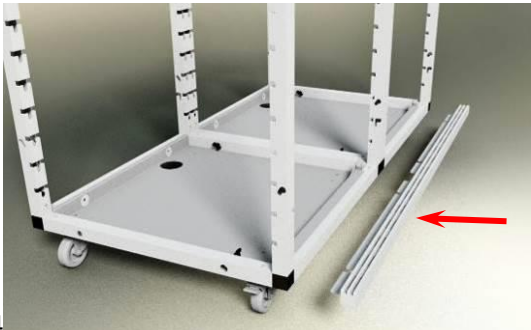
The worktop lamp can only be used when no bartop extension is mounted.



72



73



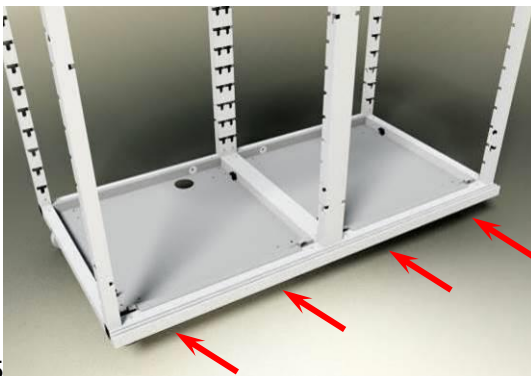
74

Sliding door set

(Item-no. rx-sd-)

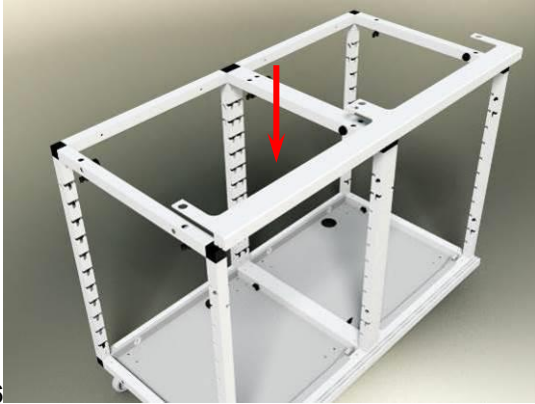
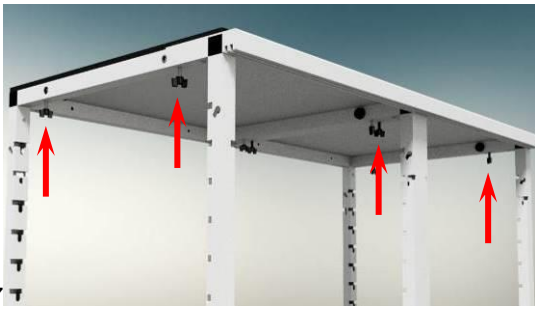


Please mount the sliding door set before you fix the worktops.



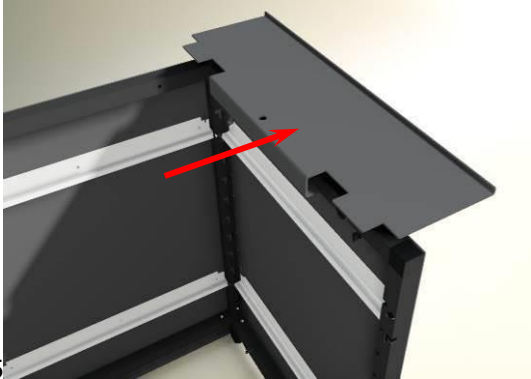
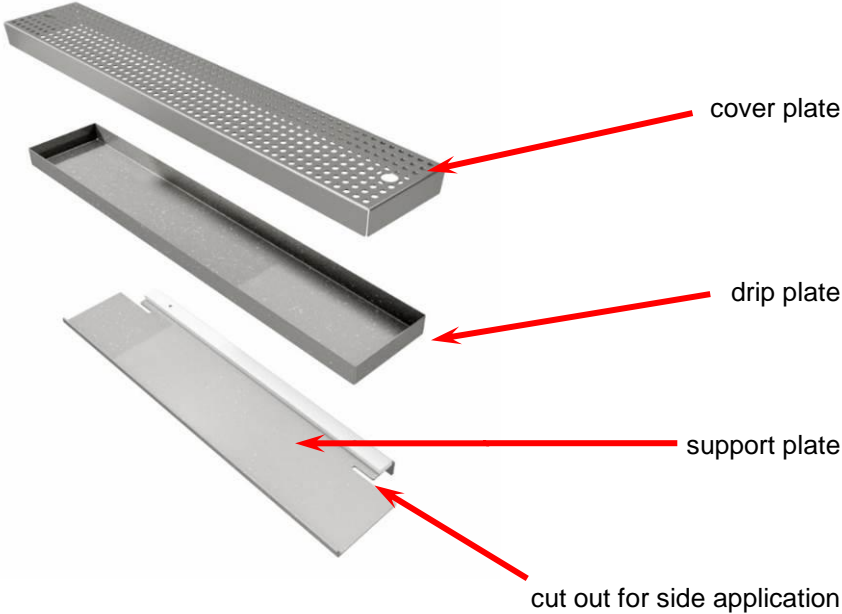
Push the bottom rail from the outside at the base frame.

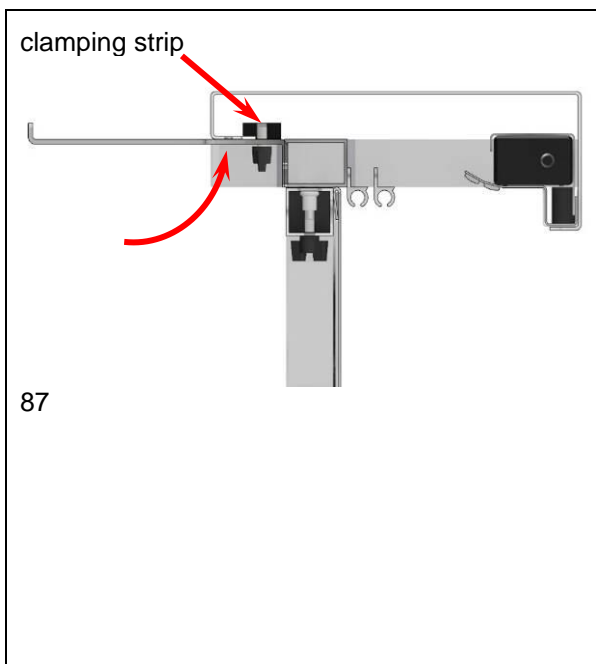


75

Connect the bottom rail at the G-Raxx frames by screwing the 4 bolts underneath.

 <p>76</p>	<p>Put the upper rail on the base frame as shown.</p>
 <p>77</p>	<p>Fix the upper rail at the base frame by attaching the worktops. Don't forget to screw the wing bolts.</p>
 <p>78</p>	<p>Push the doors from the outside into the grooves of the rails.</p>
 <p>79</p>	<p>Lock for sliding door set (Item-no. xx-sdl) For mounting the lock, the door in the front groove has to take position at the left side, the door in the rear groove at the right. Plug the lock into the two holes of the doors. The key must be at the right.</p>

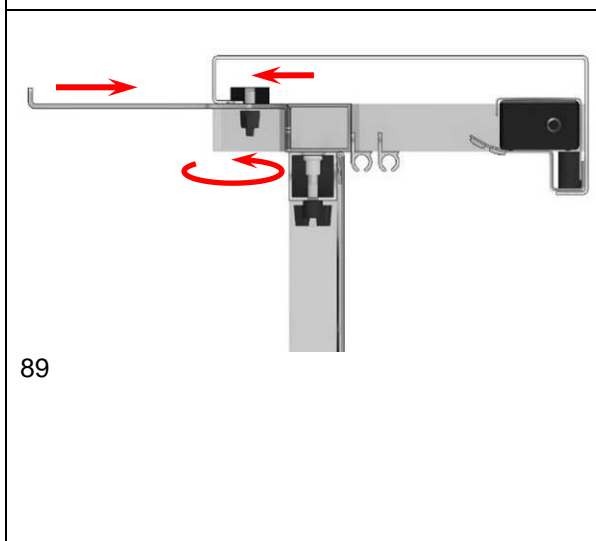
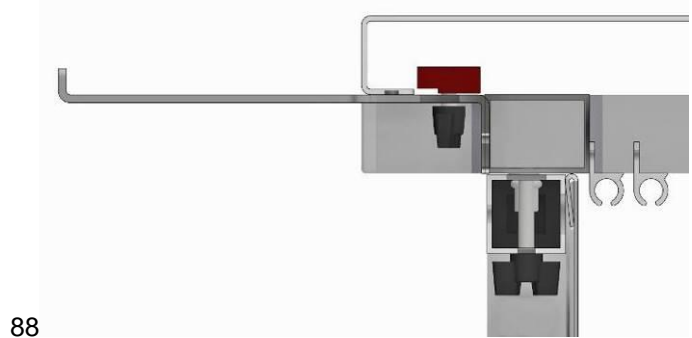
 <p>80</p>	 <p>81</p>
 <p>85</p>	<p>Extender Tray (Item-no. xx-zb27-...)</p> <p>Attach the extender tray from inside at the base frame. The side panels/front panels have to be in position before attaching the tray. The extender tray will be fixed when the worktop is mounted.</p>
	<p>Bartop Extension (Item-no. xx-zb31)</p>
<p>The Bartop Extension consists of:</p>  <p>cover plate</p> <p>drip plate</p> <p>support plate</p> <p>cut out for side application</p> <p>86</p>	



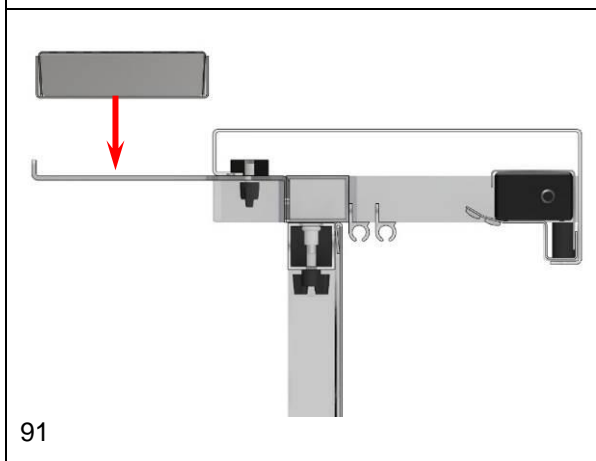
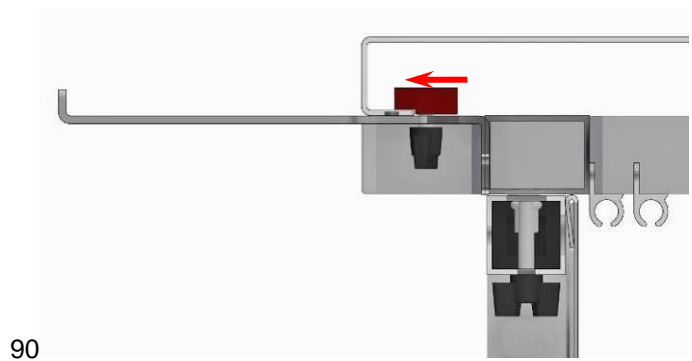
A clamping strip is mounted to the support plate.

If standard side applications are used, install the outer bartop extensions first.

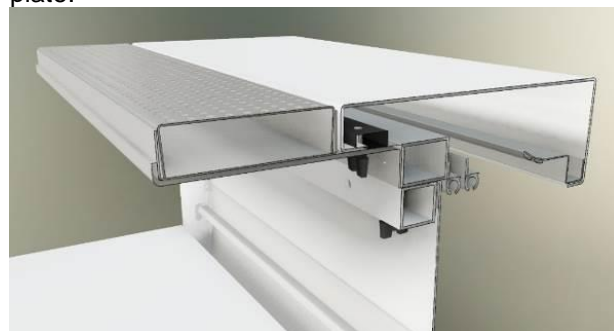
To fasten the support to the bartop, untighten the screws of the clamping strip a little bit and push the clamping strip to the outer end of the support plate. Push the support plate in an upward motion against the lower side of the bartop.



Now push the support plate against the frontframe while pulling the clamping strip by the screws in your direction. The clamping strip now moves into the bartop. Tighten screws to fix it to the bartop.



Put the drip plate with cover plate on top of the support plate.





Water Station

Place the sink and the water tap in the countertop.

Connect the blue hose to the fresh water tank and the black hose to the waste water tank.

Connect the pump to the power supply.

Water tanks

The fresh water tank has a volume of 19l and is recognizable by the blue cap.
The waste water tank has a volume of 20l and a black cap.
Make sure that the tanks are not mixed up.

NOTE:

Dry running of the pump does not cause damage to the pump if the dry run does not last longer than 10 minutes. A longer period than 10 minutes can lead to a defect.

ATTENTION:

Keep the pump completely free of water, if the pump is stored or transported in surroundings where temperature gets below 0 C°. Damage caused by freezing is possible!!!

Troubleshooting

Failure to Prime - Motor operates, but no pump discharge:

- Restricted intake or discharge line. Open all line valves, check for "jammed", check valves, and clean clogged lines.
- Air leak in intake line.
- Punctured pump diaphragm.
- Defective pump check valve.
- Crack in pump housing.
- Debris in check valves.

Motor Fails to Turn On:

- Pump or equipment not plugged in electrically.
- Loose wiring connection.
- Pressure switch failure.
- Defective motor or rectifier.
- Frozen cam/bearing.

Pump Fails to Turn Off after Discharge valves are Closed:

- Depletion of available liquid supply.
- Punctured pump diaphragm.
- Discharge line leak.
- Defective pressure switch.
- Insufficient voltage to pump.
- Debris in check valves.

Low Flow and Pressure:

- Air leak at pump intake.
- Accumulation of debris inside pump and plumbing.
- Worn pump bearing (excessive noise).
- Punctured pump diaphragm.
- Defective rectifier or motor.
- Insufficient voltage to pump.

Pulsating Flow - Pump Cycling On and Off:

- Restricted pump delivery. Check discharge lines, fittings, valves and spray nozzles for clogging or for clogging or undersizing.

Instruction RGBW Remote Controller Mi-Light FUT096

Programming the hand-held transmitter on the RGBW controller

Multiple RGBW controllers can be programmed into the 4-channel hand-held transmitter distributed across the 4 channels (zones).

Programming:

Switch off the power supply to the controller concerned and then switch it back on again. If the controller is not yet programmed, the LEDs light up red, otherwise, they show the color last set. Press the ON button of the corresponding channel within 3 secs. If the LED flashes repeatedly, the controller is coupled to the remote control. Follow the same procedure to program additional controllers into the same channel of the remote control.

Deleting:

Set the LED to a color and switch off the power supply to the controller concerned and then switch it back on again. Press the ON button of the corresponding channel within 3 secs. If the LED flashes repeatedly, the controller has been deleted from the remote control. The procedure for deleting a controller from a channel having multiple controllers is the same, except that only the power supply to the controller concerned is interrupted.

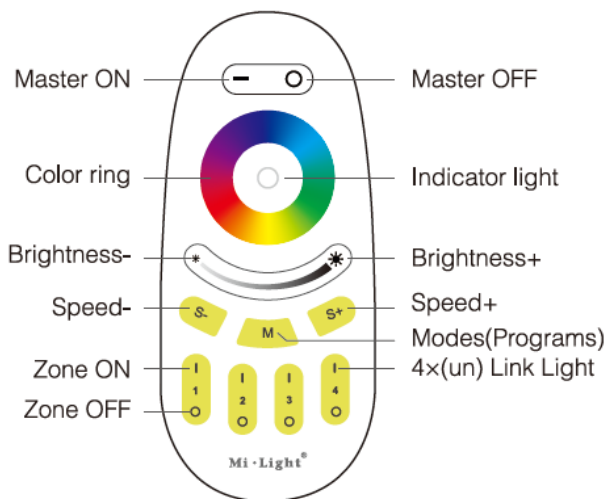
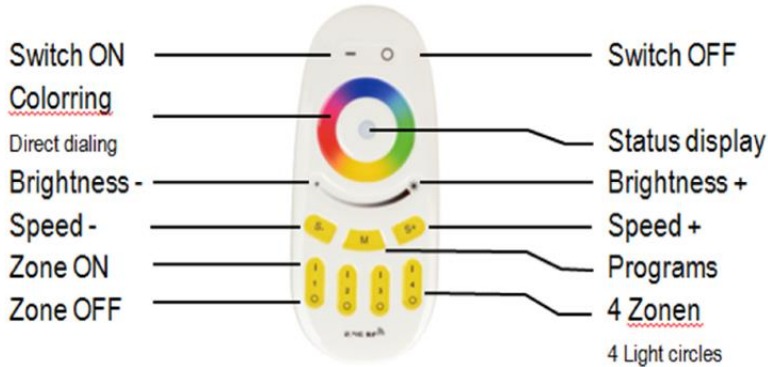
Control

Pressing the ON button for a longer time switches the programmed light to white. The ON button is used to switch all zones to white and synchronize them at the same time. Every time the program key M is pressed, the following fixed color programs (scenes) are selected:

- 1: *yellow-green-blue-violet-red color sequence*
- 2: *pulsating white LED*
- 3: *pulsating red-green-blue-white*
- 4: *color change red-green-blue-yellow-violet-turquoise-white*
- 5: *color change red-green-blue-yellow-violet-turquoise-white with brightness adjustment*
- 6: *pulsating red, followed by 3x flashing red*
- 7: *pulsating green, followed by 3x flashing green*
- 8: *pulsating blue, followed by 3x flashing blue*
- 9: *combinations of pulsating and flashing color change*

Note: Due to the various apps available, deviations in operation and individual functions are possible.

Control panel on hand-held transmitter

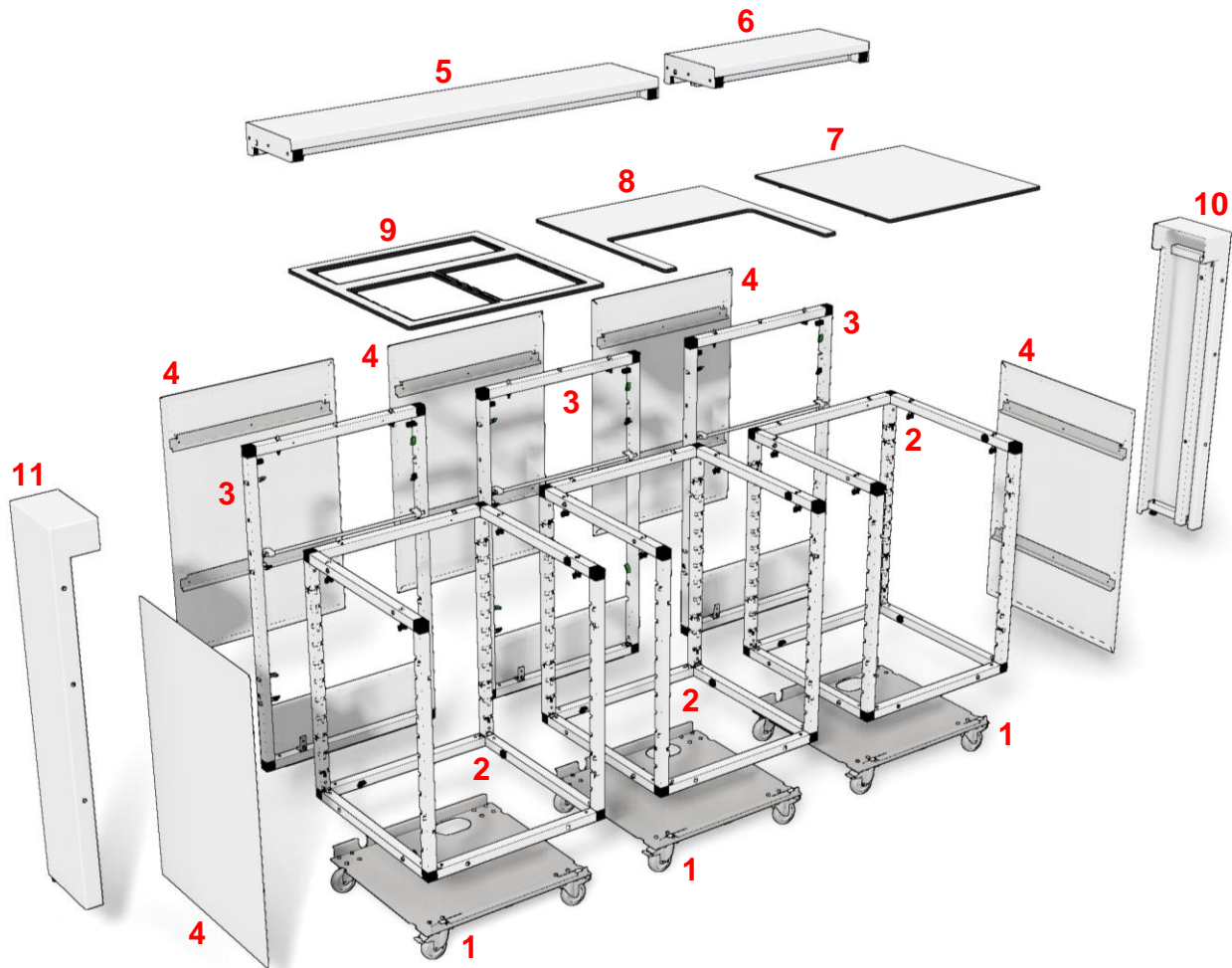


Products Key Diagram

Remark: Hold "I" to get white mode. Under white mode, press 'S-' to get warm white, press 'S+' to get cool white. Under color mode, press 'S+/S-' for saturation control. When press 'M', S+/S- can adjust the speed of the dynamic modes. To dim all RGBW lights at once or change the color, frist press "Master ON". to do this with individual lights, frist press "Zone ON". secondly, choose the color or brightness according to the color ring or brightness ring.

Exploded view

Example



- 1: G-Raxx Dolly Platform Base
- 2: G-Raxx Basic Element
- 3: G-Raxx Front Frame 600
- 4: Side Panels/Front Panels
- 5: Bartop 1200
- 6: Bartop 600
- 7: Worktop 2-1
- 8: Worktop 2-5
- 9: Worktop 2-2
- 10: Side Application left
- 11: Side Application right

Cleaning Instructions

Paint surface

Cleaning with dishwashing and water or plastic cleaner or glass cleaner

ATTENTION: Don't use abrasive or solvent!

For little scratches use car polish paste.

Digitally imprinted materials

Cleaning with dishwashing and water or plastic cleaner or glass cleaner

ATTENTION: Don't use abrasive or solvent!

Work tops

Cleaning with dishwashing and water or plastic cleaner or glass cleaner

ATTENTION: Don't use abrasive or solvent!

Interiors stainless steel

Cleaning with dishwashing and water or in the dishwasher

Bags of felt

Clean the bag in the washing machine with the following settings: 30°C, program "wool", skid by 400 rotations. Afterwards dry in air.

Electric components

If the bar is used outside without covering by a tent or roof don't use the electric components like branding panels and water pump while it is raining. Make sure the bar is not connected to the electric power supply.